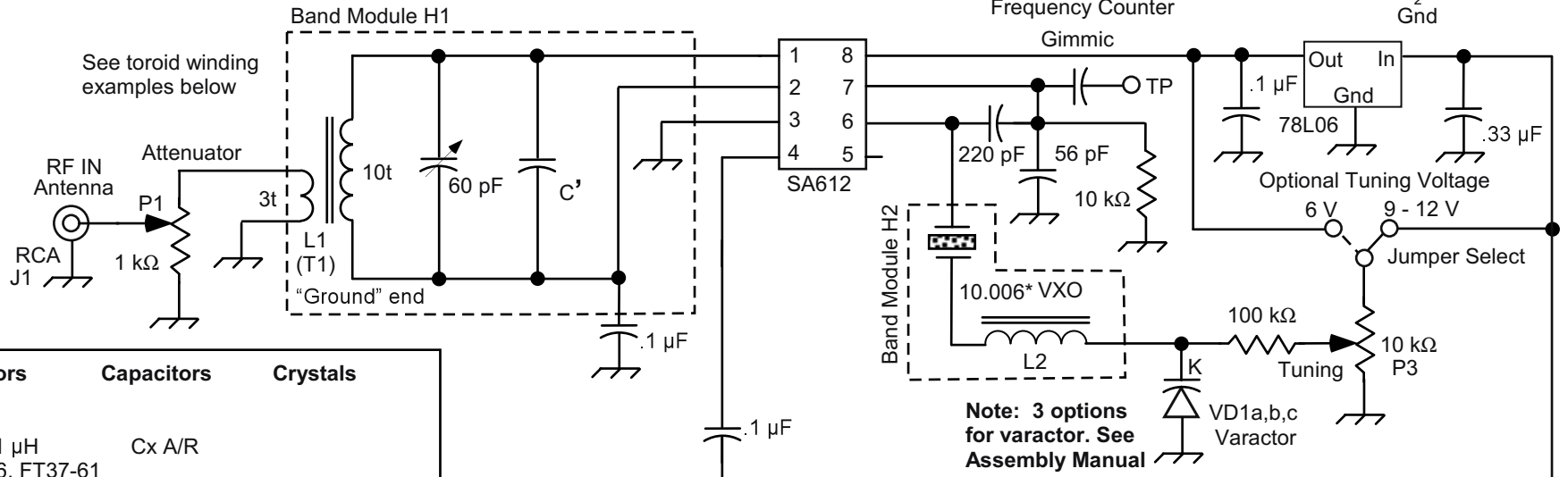


QRPme WWVR Receiver

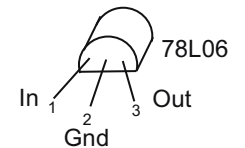
By: Chuck, W5USJ, 20 Sep 2019



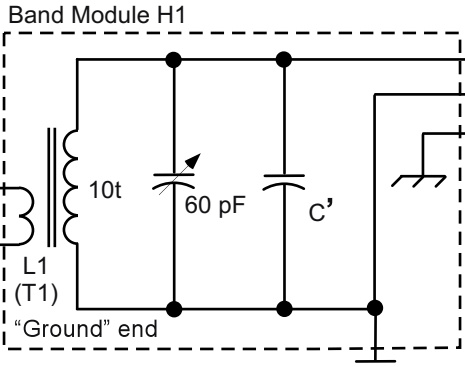
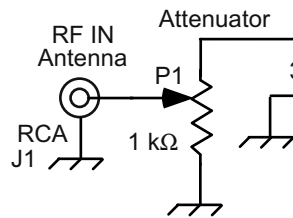
2 in length ribbon cable
Strip opposite ends



Frequency Counter
Gimmick



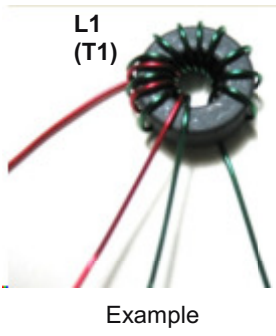
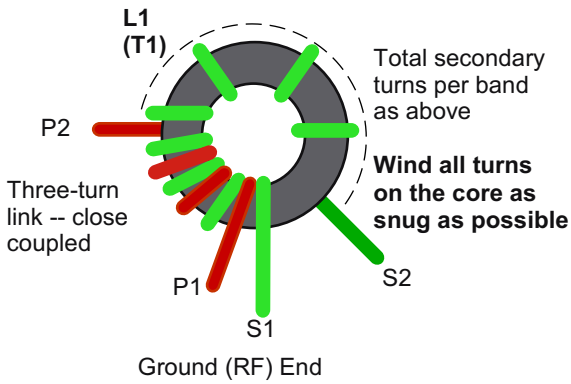
See toroid winding examples below



Inductors	Capacitors	Crystals
5 MHz T1 -- 11 μ H 15t #26, FT37-61	Cx A/R	
L1 -- 22 μ H 21t #26, FT37-61 Alt: 22 uH RF Choke		5.000 MHz
10 MHz T1 -- 5.5 μ H 10t #26, FT37-61	Cx A/R	
L1 18 μ H 19t #26 FT37-61 Alt: 18 uH RF Choke		10.006* MHz 10.112* MHz 10.106* MHz
		* QRPme Crystals

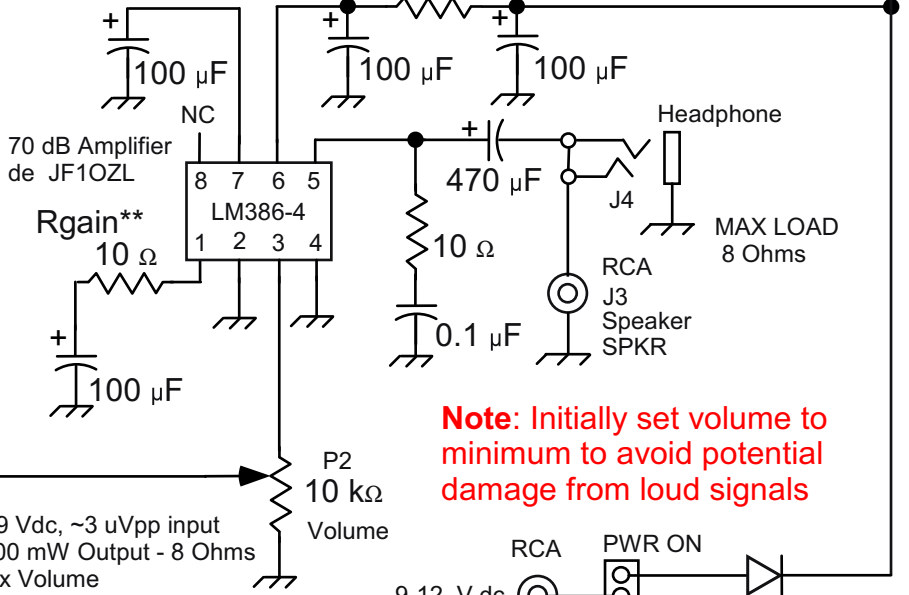
Resistor Ω	dB
10	70
33	54
105	44
820	34

70 dB Amplifier de JF10ZL



Note: 3 options for varactor. See Assembly Manual

70 dB Amplifier de JF10ZL



Note: Initially set volume to minimum to avoid potential damage from loud signals

At 9 Vdc, ~3 uVpp input
~400 mW Output - 8 Ohms
Max Volume

**Rgain
See Assembly Manual for Rgain dB Values. 10 Ohm = ~70 dB

